

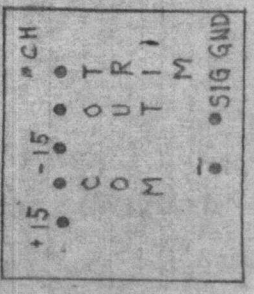
RANGE SWITCH S1

FULL SCALE ADJUSTMENT 5x20Ω

ERROR POINT

100 V RANGE ZERO OFFSET TRIM

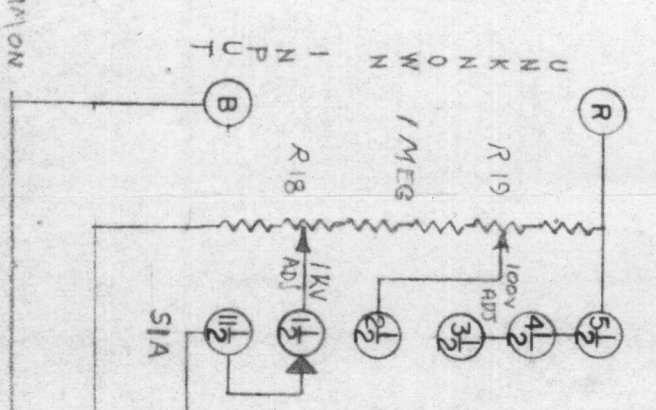
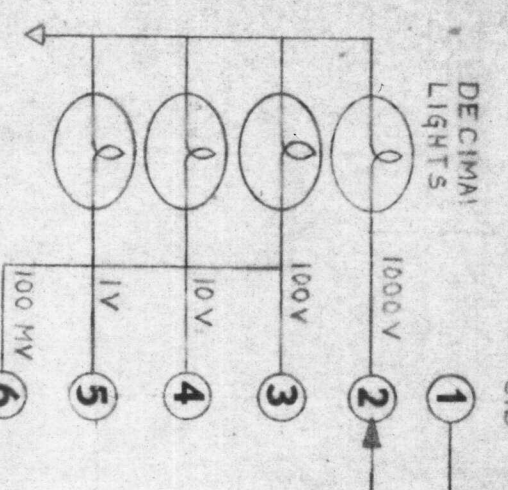
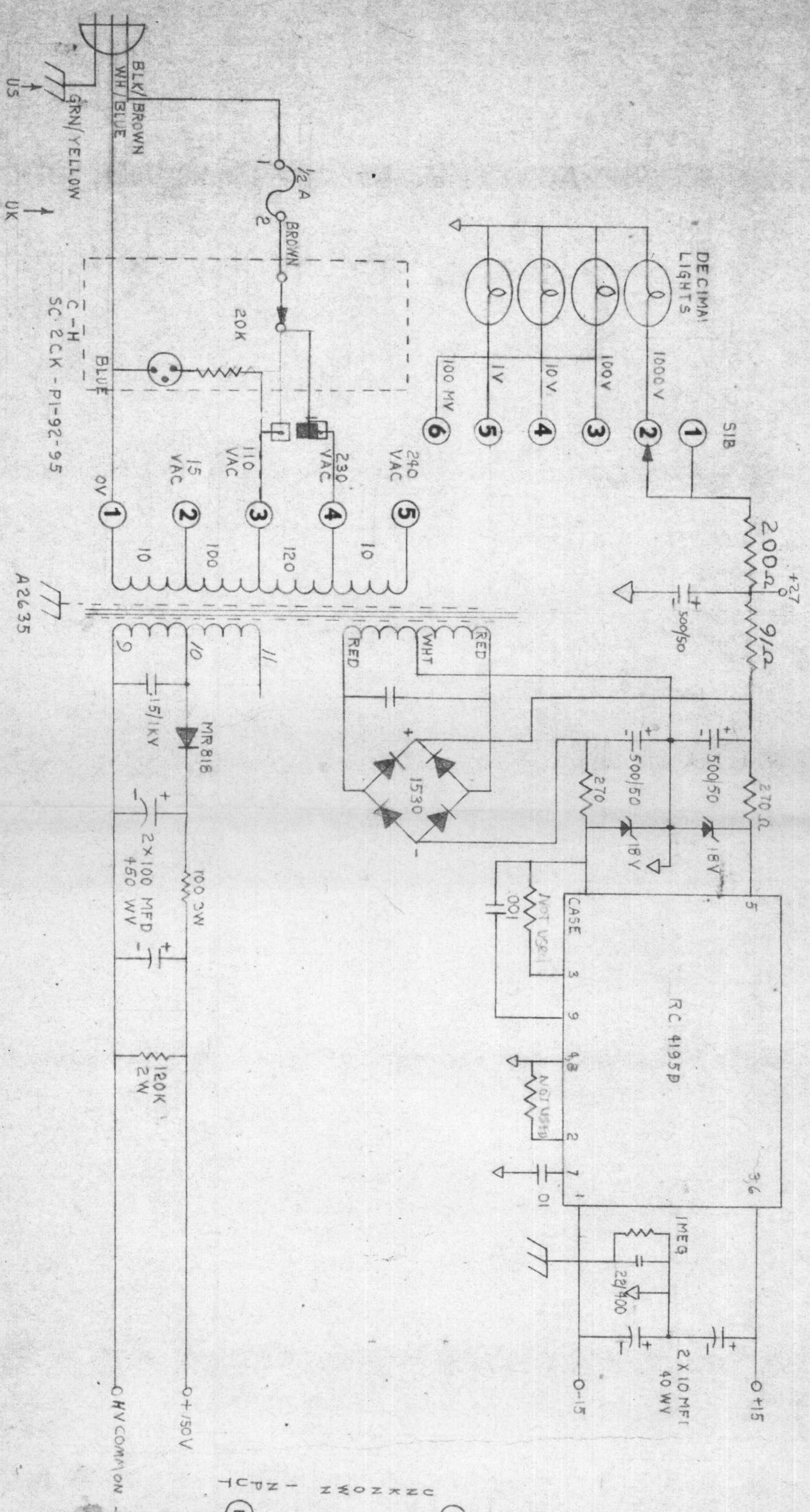
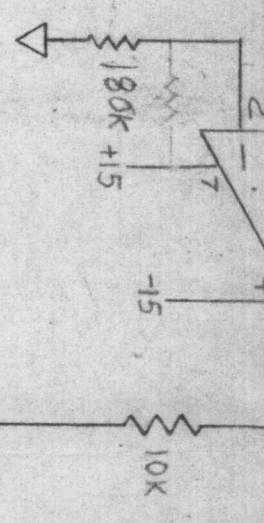
TRIM 1.5-2K R=15Ω NEAREST SMALLER A B



700352 PIN



CONNECTIONS  
PIN SIDE VIEW



OHV COMMON  
0+150V

100 3W  
2X100 MFD  
450 WV

MR818  
15/1KV

10  
100  
120

20K

1/2 A BROWN

BLK/BROWN  
WH/BLUE  
GRN/YELLOW  
US  
UK

C-H SC 2CK - P1-92-95

A2635

RC 4195B

NOT USED

NOT USED

22μF/100

2X10MFI 40 WV

100V ADJ

1KV ADJ

1MEG

100V

100V

100V

100V

100V

100V

100V

100V

100V

100V

100V

100V

100V

100V

100V

100V

100V

100V

100V

100V

100V

100V

100V

100V

100V

100V

100V

100V

100V

100V

100V

100V

100V

100V

100V

100V

100V

100V

100V

100V

100V

100V

100V

100V

100V

100V

100V

100V

100V

100V

100V

100V

100V

100V

100V

100V

100V

100V

100V

100V

100V

100V

100V

100V

100V

100V

100V

100V

100V

100V

100V

100V

100V

100V

100V

100V

100V

100V

100V

100V

100V

100V

100V

100V

100V

100V

100V

100V

100V

100V

100V

100V

100V

100V

100V

100V

100V

100V

100V

100V

100V

100V

100V

100V

100V

100V

100V

100V

100V

100V

100V

100V

100V

100V

100V

100V

100V

100V

100V

100V

100V

100V

100V

100V

100V

100V

100V

100V

100V

100V

100V

100V

100V

100V

100V

100V

100V

100V

100V

100V

100V

100V

100V

100V

100V

100V

100V

100V

100V

100V

100V

100V

100V

100V

100V

100V

100V

100V

100V

100V

100V

100V

100V

100V

100V

100V

100V

100V

100V

100V

100V

100V

100V

100V

100V

100V

100V

100V

100V

100V

100V

100V

100V

100V

100V

100V

100V

100V

100V

100V

100V

100V

100V

100V

100V

100V

100V

100V

100V

100V

100V

100V

100V

100V

100V

100V

100V

100V

100V

100V

100V

100V

100V

100V

100V

100V

100V

100V

100V

100V

100V

100V

100V

100V

100V

100V

100V

100V

100V

100V

100V

100V

100V

100V

100V

100V

100V

100V

100V

100V

100V

100V

100V

100V

100V

100V

100V

100V

100V

100V

100V

100V

100V



200Ω  
3W  
+150V

120K  
2W

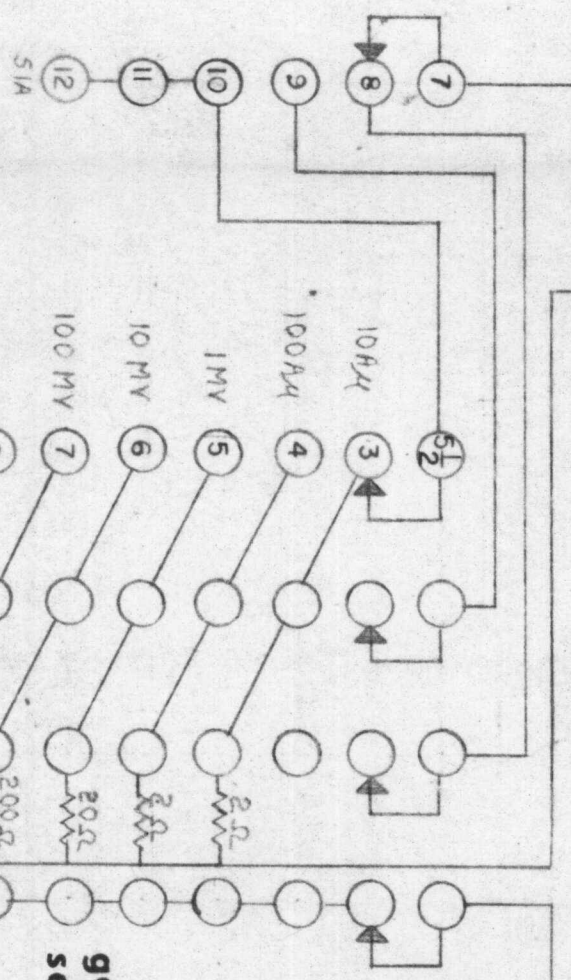
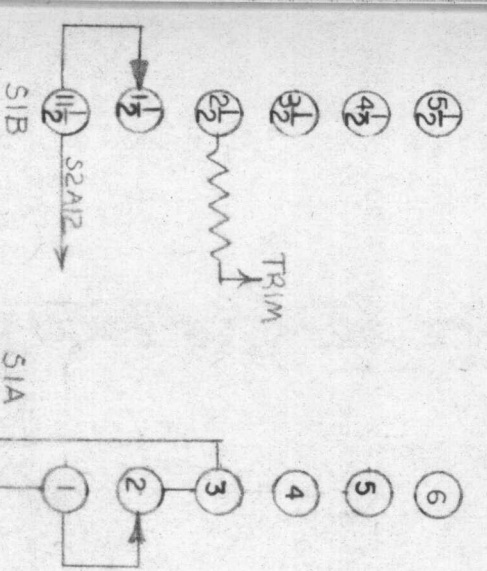
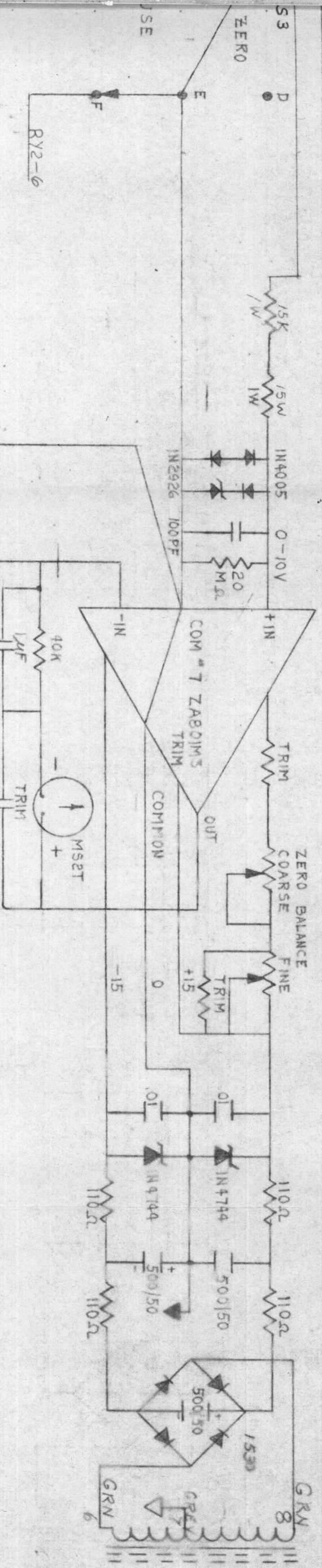
+ SENSE  
1 2 3 4 5 6  
1000V 100V 10V 1V 100mV

SID

51811.5 ←  
12 OFF

AMP  
2902

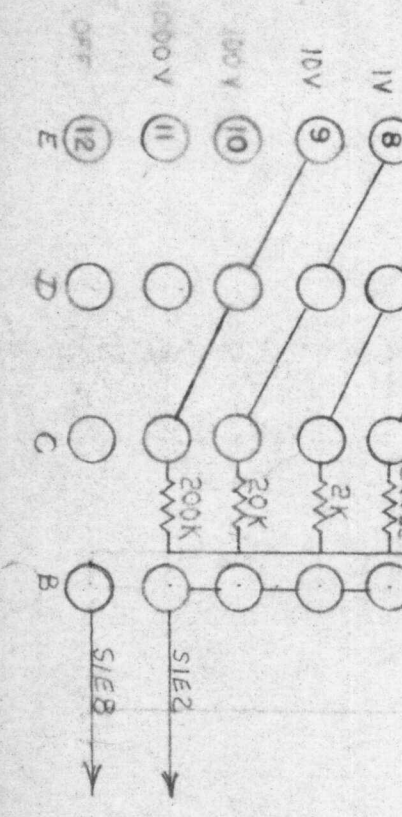
7 8 9 10 11 12



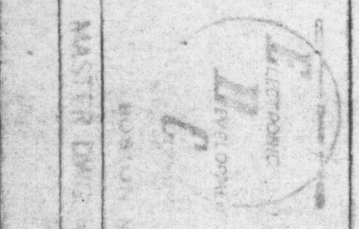
# PS & GALVO

2902

galvo sensitivity  
S2 RANGE SWITCH



Rev A MKR75  
DR. S.P.  
DATE: 8/28/74



SCHEMATIC  
OF 2902

D 2749

A